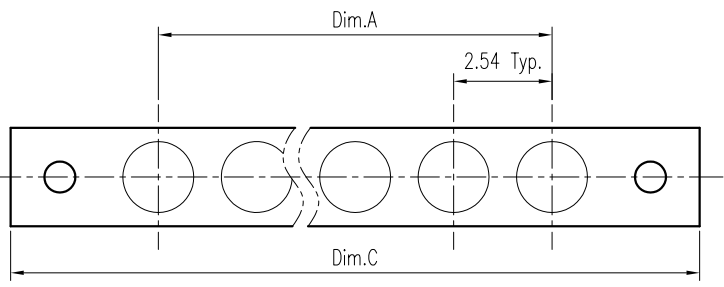
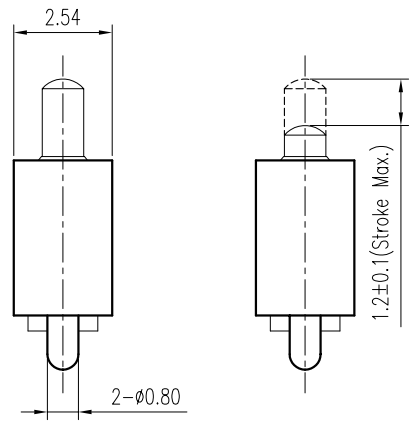
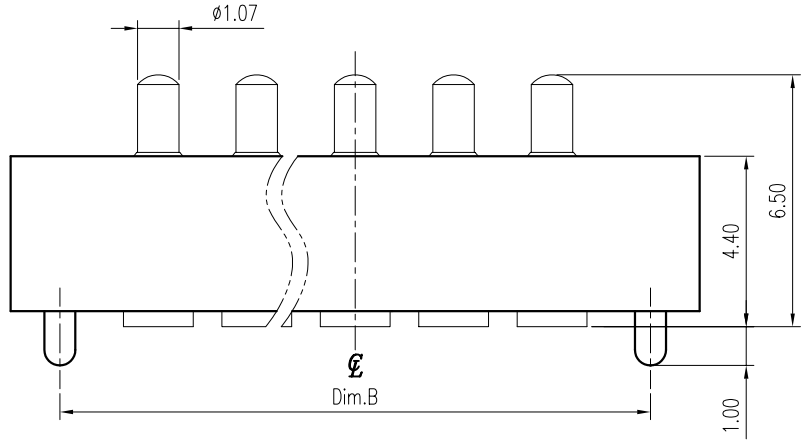


REV.	DESCRIPTION	ECN NO.	DATE	DRAWER
A	New Release		10/28/2005	Aaron



Notes:

- Material :
Housing : Thermoplastic UL 94V-0
Terminal : Copper Alloy
- Finish :
Terminal : 0.5um Au / 2.5um Ni.
- Order Information :

T : RoHS(for High Temperature)
PE1-011 X 7-0 X X 1

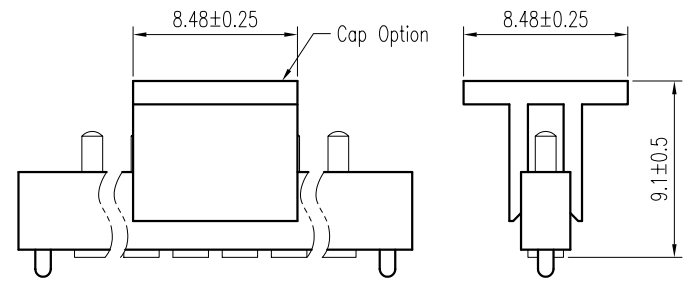
- Pins :
- 2 : 2 Pins
 - ?
 - 9 : 9 Pins
 - A : 10 Pins
 - ?
 - G : 16 Pins

- Color :
- 1 : White
 - 2 : Black

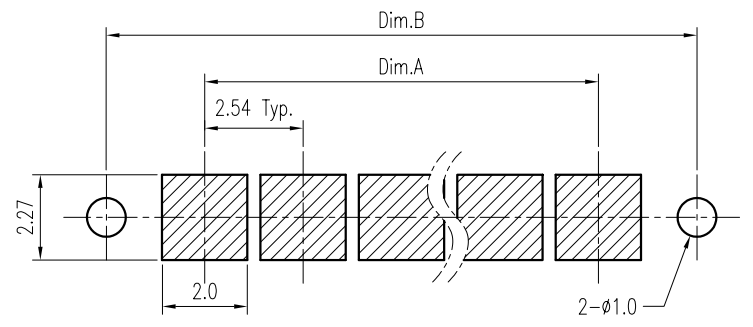
- Packing :
- T : Tube
 - 1 : Tube + Cap

Dimension Information:

Part No.	Dim.	Pins	Dim.A	Dim.B	Dim.C
TPE1-01127-02T1	2	2.54	7.62	10.16	
TPE1-01137-02T1	3	5.08	10.16	12.70	
TPE1-01147-02T1	4	7.62	12.70	15.24	
TPE1-01157-02T1	5	10.16	15.24	17.78	
TPE1-01167-02T1	6	12.70	17.78	20.32	
TPE1-01177-02T1	7	15.24	20.32	22.86	
TPE1-01187-02T1	8	17.78	22.86	25.40	
TPE1-01197-02T1	9	20.32	25.40	27.94	
TPE1-011A7-02T1	10	22.86	27.94	30.48	
TPE1-011B7-02T1	11	25.40	30.48	33.02	
TPE1-011C7-02T1	12	27.94	33.02	35.56	
TPE1-011D7-02T1	13	30.48	35.56	38.10	
TPE1-011E7-02T1	14	33.02	38.10	40.64	
TPE1-011F7-02T1	15	35.56	40.64	43.18	
TPE1-011G7-02T1	16	38.10	43.18	45.72	



With Cap
Scale 2.5:1



Recommended P.C.B. Layout
Layout Tolerance = ± 0.05 mm

DIMENSION IN mm [inch] Tolerance unless otherwise specified		欣訊科技股份有限公司 CEN LINK CO., LTD. CUSTOMER DRAWING	Title 2.5mm Pitch Pin Header Single Type	Scale: 5 : 1 Size: A 4
X. ± -- X.* ± 10'	Dwg No. TPE1-011X7-OXX1		Rev: A	
X.X ± 0.38 X.X* ± 5'	File No. P01008		Sheet: 1 / 1	
X.XX ± 0.25 X.XX* ± 2'	Approver: _____		Checker: _____	
X.XXX ± 0.13 X.XXX* ± --	Drawer: Aaron		Date: 10/28/2005	