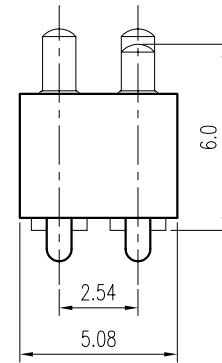
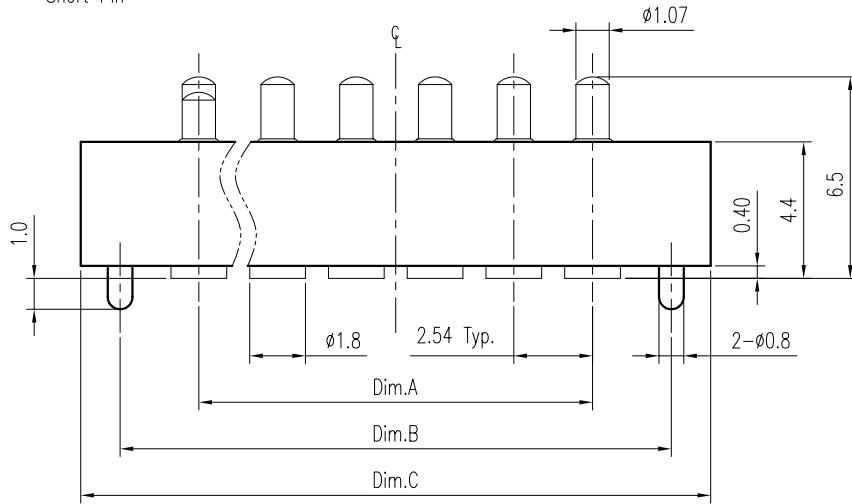
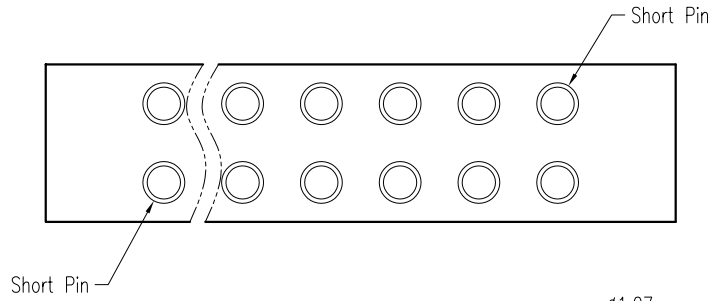


REV.	DESCRIPTION	ECN NO.	DATE	DRAWER
A	New Release		10/27/2005	Tom



Notes:

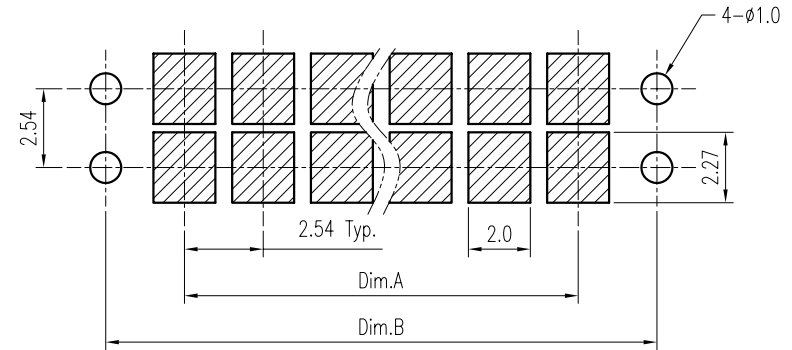
- Material :
Housing : Thermoplastic UL 94V-0, Black
Terminal : Copper Alloy
- Finish :
Terminal : 20u" Gold on Contact Area, 10u" Gold on Solder Tails, Both over 100u" Ni Under-plated Overall
- Spring Pin Force : $0.4N \pm 0.15N$ at Stroke 1.2mm
- Stroke 1.2mm Max.
- Order Information :
TPE1-01K X 7-62T1

Amount of Pins

- 2 : 4 Pins
- ?
- 9 : 18 Pins
- A : 20 Pins
- ?
- G : 32 Pins

Dimension Information:

Part No.	Dim.	Amount of Pins	Dim.A	Dim.B	Dim.C
TPE1-01K27-62T1	4	4	2.54	7.62	10.16
TPE1-01K37-62T1	6	6	5.08	10.16	12.70
TPE1-01K47-62T1	8	8	7.62	12.70	15.24
TPE1-01K57-62T1	10	10	10.16	15.24	17.78
TPE1-01K67-62T1	12	12	12.70	17.78	20.32
TPE1-01K77-62T1	14	14	15.24	20.32	22.86
TPE1-01K87-62T1	16	16	17.78	22.86	25.40
TPE1-01K97-62T1	18	18	20.32	25.40	27.94
TPE1-01KA7-62T1	20	20	22.86	27.94	30.48
TPE1-01KB7-62T1	22	22	25.40	30.48	33.02
TPE1-01KC7-62T1	24	24	27.94	33.02	35.56
TPE1-01KD7-62T1	26	26	30.48	35.56	38.10
TPE1-01KE7-62T1	28	28	33.02	38.10	40.64
TPE1-01KF7-62T1	30	30	35.56	40.64	43.18
TPE1-01KG7-62T1	32	32	38.10	43.18	45.72



Recommended P.C.B. Layout
Layout Tolerance = ± 0.05 mm

DIMENSION IN mm [inch] Tolerance unless otherwise specified		 欣訊科技股份有限公司 CEN LINK CO., LTD. CUSTOMER DRAWING	Title 2.54mm Pitch Pin Header Spring Pin Conn.	 Scale: 4 : 1 Rev : A 4 Sheet: 1 / 1
X. ± 0.38	X.* $\pm 10'$		Dwg No. TPE1-01KX7-62T1	
X.X ± 0.25	X.X* $\pm 5'$	File No.	Scale: 4 : 1	
X.XX ± 0.20	X.XX* $\pm 2'$	Approver:	Rev : A	
X.XXX \pm	X.XXX* \pm	Checker:	Drawer: Tom	
			10/27/2005	