

1

2

3

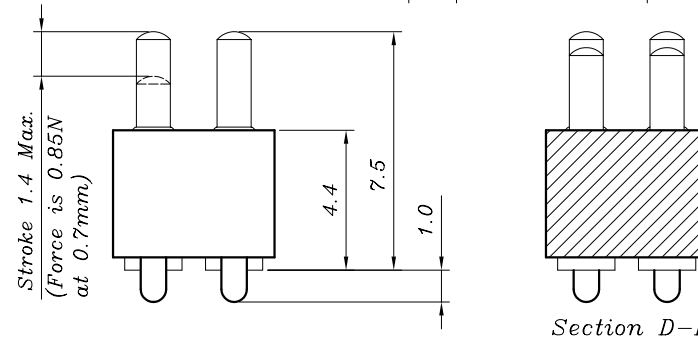
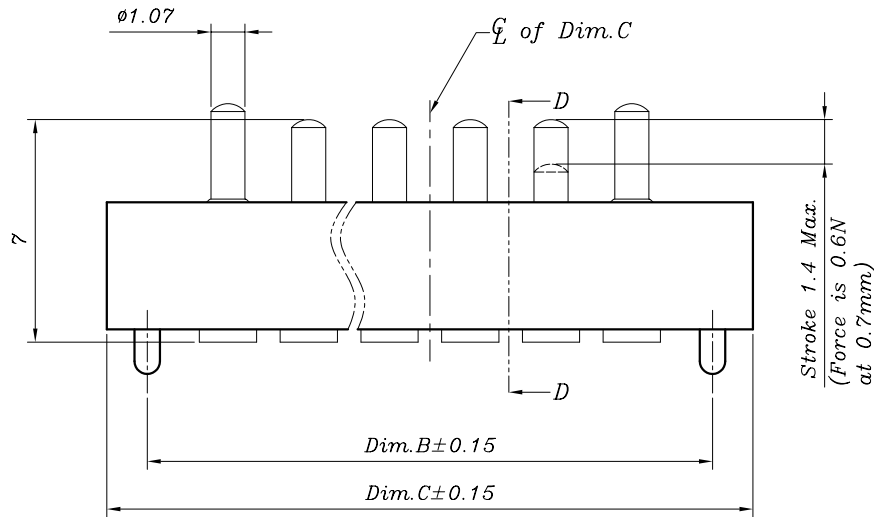
4

5

6

7

REV	MODIFICATION	DATE	DRAW	APPROVE
A	New release	03/09/2005	Tom	Giordano



Notes :

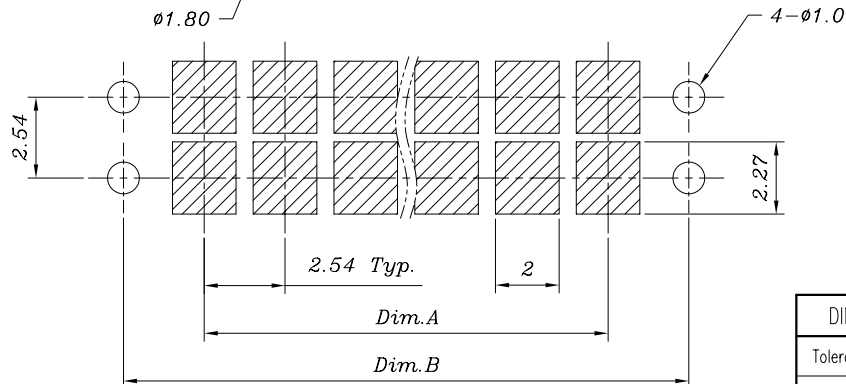
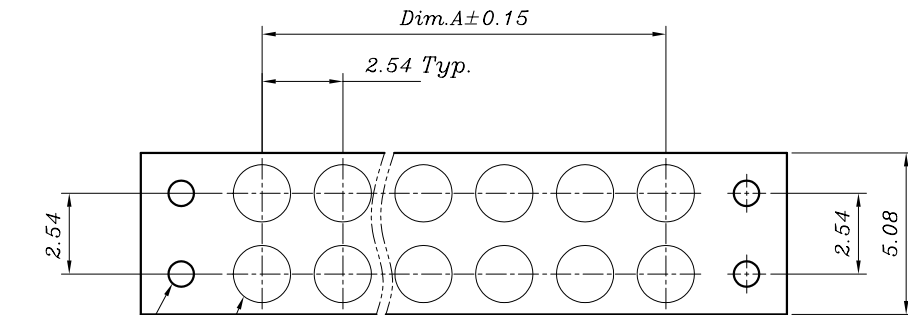
- Material :  
Housing : Thermoplastic , UL 94V-0  
Terminal : Copper Alloy
- Finish :  
Terminal : Selected Gold On Contact Area, Gold  
Flash On Solder Tails, Both Over  
80u" Min. Ni Under-Plated Overall.

3. Order Information

X PE1-01G X 8-92T X  
 T : With The European ROHS Directive  
 N/A : Normal  
 Plating  
 1 : 20u" Gold

Amount of Pins
3 : 2 x 3 Pins
7 : 2 x 7 Pins
9 : 2 x 9 Pins
A : 2 x 10 Pins

Dim.A	$2.54 \times [(Amount\ Of\ Pins / 2) - 1]$
Dim.B	$2.54 \times [(Amount\ Of\ Pins / 2) + 1]$
Dim.C	$2.54 \times [(Amount\ Of\ Pins / 2) + 2]$



**Recommended P.C.B. Layout**  
 Layout Tolerance =  $\pm 0.05$  mm

DIMENSION IN mm [inch]		欣訊科技股份有限公司 CEN LINK CO., LTD.	Title 2.5mm Pitch Spring Pin Type		
Tolerance unless otherwise specified			Dwg No. OPE1-01G08-92T0		
X. $\pm 0.38$	X.' $\pm 10'$	CUSTOMER DRAWING		File No. N/A	
X.X $\pm 0.25$	X.X' $\pm 5'$			Draw: Tom	
X.XX $\pm 0.13$	X.XX' $\pm 2'$	Approve:		03/09/2005	
X.XXX $\pm$		Check:		Sheet: 1/1	