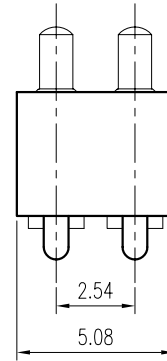
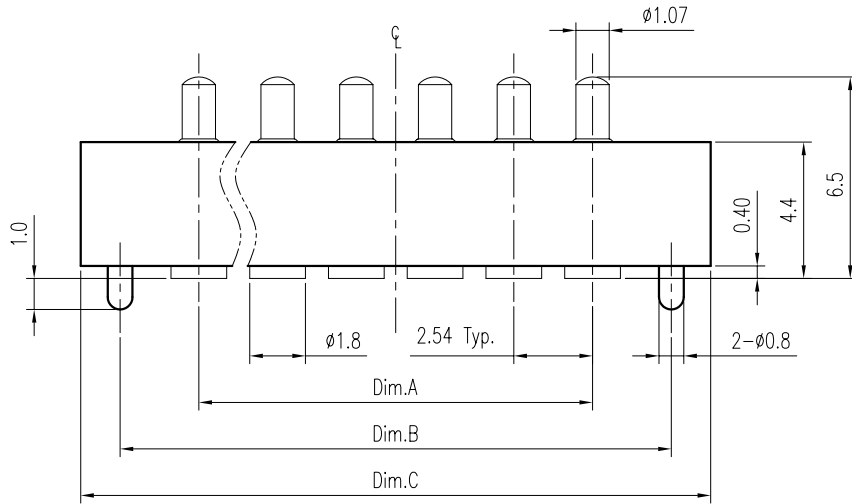
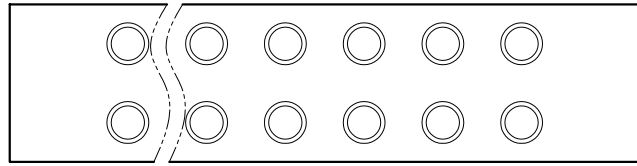


REV.	DESCRIPTION	ECN NO.	DATE	DRAWER
A	New Release		11/30/2004	Tom
B	Modified Part No. and Dwg No.	EC0511002	11/01/2005	Tom



Notes:

- Material :
Housing : Thermoplastic UL 94V-0, Black
Terminal : Copper Alloy
- Finish :
Terminal : 20u" Gold on Contact Area, 10u" Gold on Solder Tails, Both over 100u" Ni Under-plated Overall
- Spring Pin Force : 0.4N ± 0.15N at Stroke 1.2mm
- Stroke 1.2mm Max.
- Order Information :
TPE1-01E X 7-02 X 1

Amount of Pins

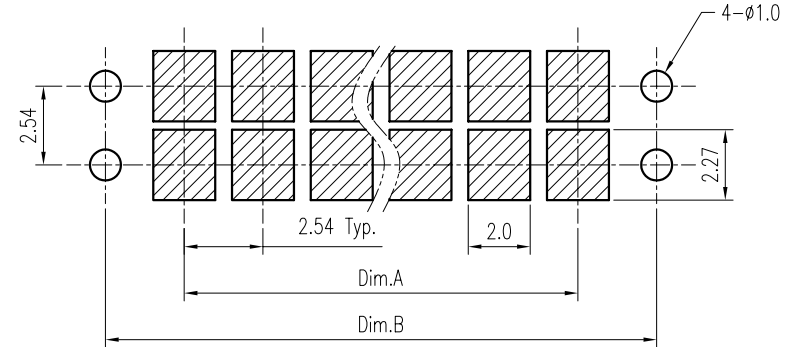
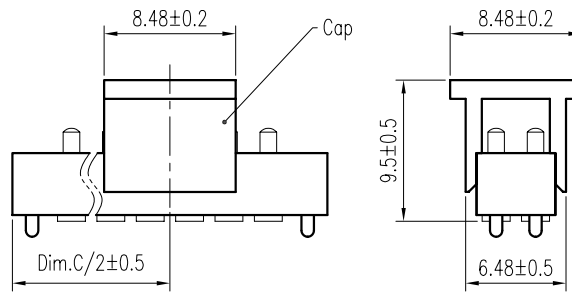
- 2 : 4 Pins
- ?
- 9 : 18 Pins
- A : 20 Pins
- ?
- G : 32 Pins

Packing

- T : Tube
- 1 : Tube With Cap

Dimension Information:

Part No.	Dim.	Amount of Pins	Dim.A	Dim.B	Dim.C
TPE1-01E27-02X1	4	4	2.54	7.62	10.16
TPE1-01E37-02X1	6	6	5.08	10.16	12.70
TPE1-01E47-02X1	8	8	7.62	12.70	15.24
TPE1-01E57-02X1	10	10	10.16	15.24	17.78
TPE1-01E67-02X1	12	12	12.70	17.78	20.32
TPE1-01E77-02X1	14	14	15.24	20.32	22.86
TPE1-01E87-02X1	16	16	17.78	22.86	25.40
TPE1-01E97-02X1	18	18	20.32	25.40	27.94
TPE1-01EA7-02X1	20	20	22.86	27.94	30.48
TPE1-01EB7-02X1	22	22	25.40	30.48	33.02
TPE1-01EC7-02X1	24	24	27.94	33.02	35.56
TPE1-01ED7-02X1	26	26	30.48	35.56	38.10
TPE1-01EE7-02X1	28	28	33.02	38.10	40.64
TPE1-01EF7-02X1	30	30	35.56	40.64	43.18
TPE1-01EG7-02X1	32	32	38.10	43.18	45.72



Recommended P.C.B. Layout
Layout Tolerance = ± 0.05 mm

DIMENSION IN mm [inch]	
Tolerance unless otherwise specified	
X. ± 0.38	X.* ± 10'
X.X ± 0.25	X.X* ± 5'
X.XX ± 0.20	X.XX* ± 2'
X.XXX ±	X.XXX* ±

CEN 欣訊科技股份有限公司
CEN LINK CO., LTD.
CUSTOMER DRAWING

Title 2.54mm Pitch Pin Header Spring Pin Conn.	
Dwg No. TPE1-01EX7-02X1	
File No.	Scale: 4 : 1
Apprver:	Rev : A 4
Checker:	Rev : B
Drawer: Tom	Sheet: 1 / 1
	11/01/2005