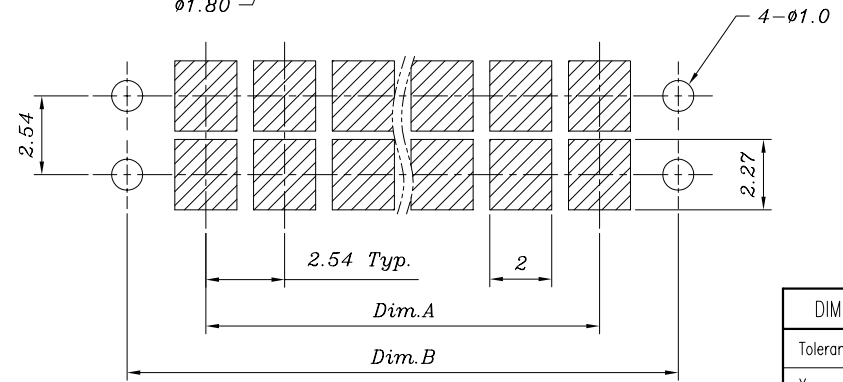
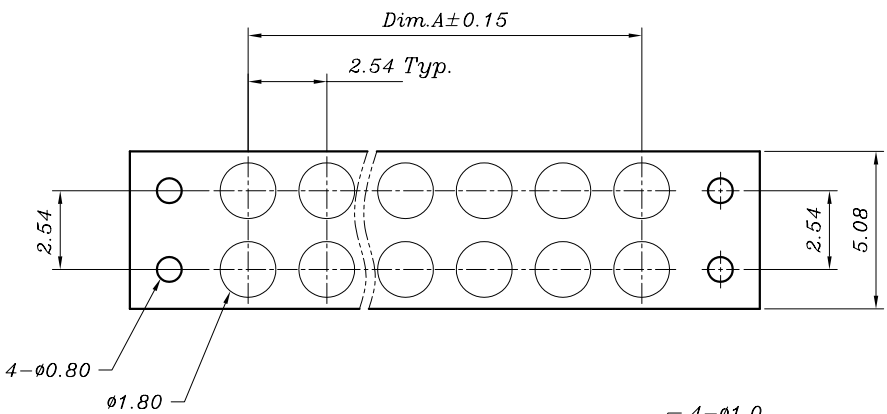
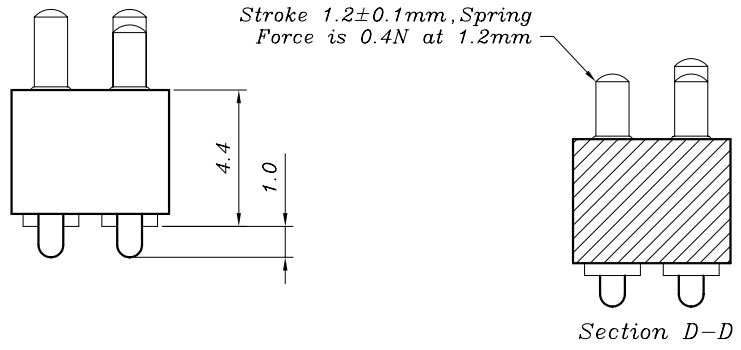
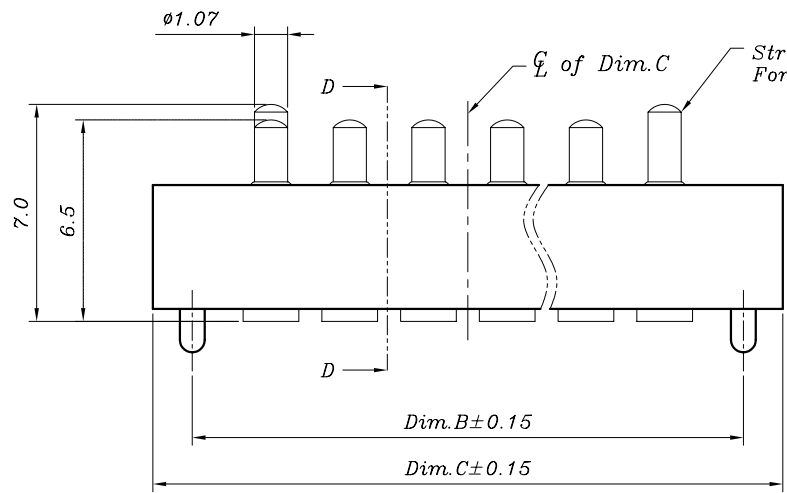


REV	MODIFICATION	DATE	DRAW	APPROVE
A	New release	03/21/2005	Tom	Giordano



Recommended P.C.B. Layout
Layout Tolerance = ± 0.05 mm

Notes :

- Material :**
 Housing : Thermoplastic , UL 94V-0
 Terminal : Copper Alloy
- Finish :**
 Terminal : Selected Gold On Contact Area, Gold
 Flash On Solder Tails, Both Over
 80u" Min. Ni Under-Plated Overall.

3. Order Information

X	PE1-01B	X	7-82T	X
T : With The European ROHS Directive				Plating
N/A : Normal				1 : 20u" Gold
Amount of Pins				
3 : 2 x 3 Pins				
2 : 2				
9 : 2 x 9 Pins				
A : 2 x 10 Pins				

Dim.A	2.54 x [(Amount Of Pins / 2) - 1]
Dim.B	2.54 x [(Amount Of Pins / 2) + 1]
Dim.C	2.54 x [(Amount Of Pins / 2) + 2]

DIMENSION IN mm [inch]		欣訊科技股份有限公司 CEN LINK CO., LTD.	Title 2.54mm Pitch Spring Pin Conn.		
Tolerance unless otherwise specified					
X.	± 0.38	X.'	± 10'	Dwg No. OPE1-01B07-82T0	Scale: 4 : 1
X.X	± 0.25	X.X'	± 5'	File No. N/A	Size: A4
X.XX	± 0.13	X.XX'	± 2'	Approve: _____ Check: _____ Draw: Tom 03/21/2005	Rev : A
X.XXX	±				Sheet: 1 / 1