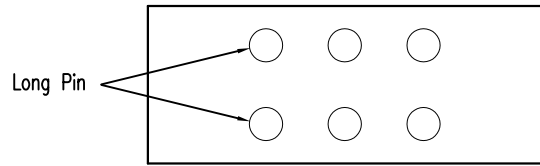
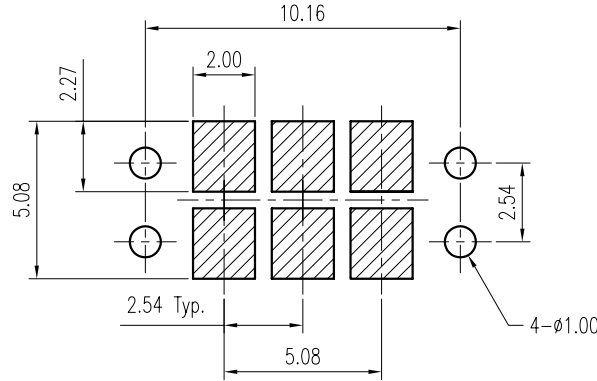


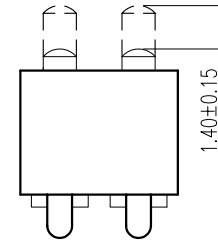
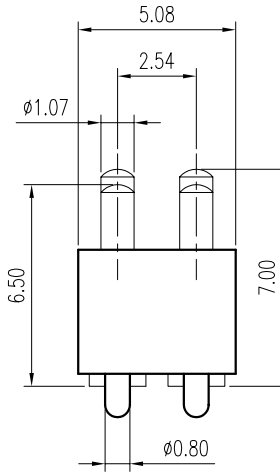
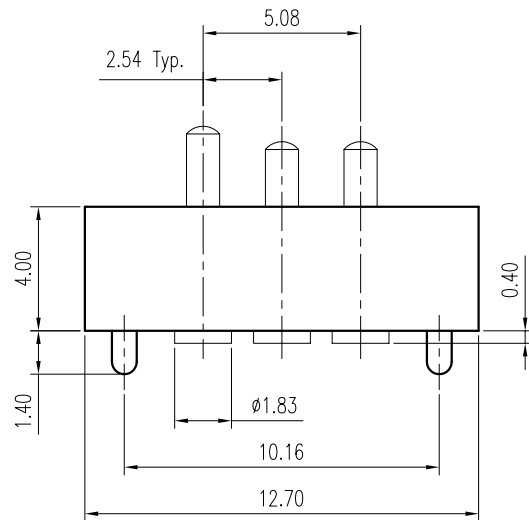
REV.	DESCRIPTION	ECN NO.	DATE	DRAWER
A	New Release		10/31/2002	Ben
B	Modified by Customer Design	EC0603032	03/08/2006	Edsen



Vertical View



Recommended P.C.B. Layout  
Layout Tolerance = ± 0.05 mm



Notes:

- Material :  
Housing : Thermoplastic UL 94V-0  
Terminal : Copper Alloy
- Finish :  
Terminal : 20u" Min. Gold on Contact Area,  
10u" Min. Gold on Solder Tails, Both  
over 100u" Min. Ni Under-plated Overall
- Order Information :

T PE1-014 3 7-8 X X 1

T : RoHS (for High Temperature)

Amount of Pins:

3 : 6Pins

Color Option:

1 : White

2 : Black

Packing Option:

T : Tube

R : Reel

DIMENSION IN mm [inch]

Tolerance unless otherwise specified

X.	X.*	± 10'
X.X ± 0.38	X.X*	± 5'
X.XX ± 0.25	X.XX*	± 2'
X.XXX ± 0.13	X.XXX*	±

**CEN** 欣訊科技股份有限公司  
CEN LINK CO., LTD.  
CUSTOMER DRAWING

Title 2.54mm Pitch Pin Header  
(Spring Pin Dual Type)

Dwg No. TPE1-01437-8XX1

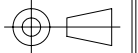
File No.

Approver:

Checker:

Drawer: **Edsen**

03/08/2006



Scale: 4 : 1

Size: A 4

Rev : B

Sheet: 1 / 1