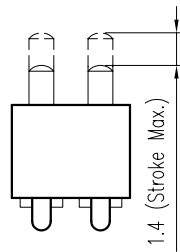
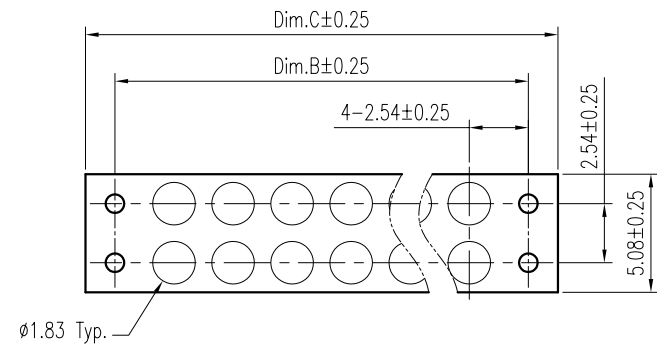
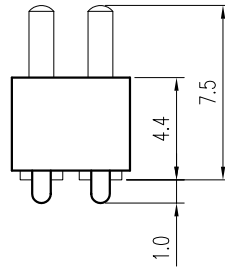
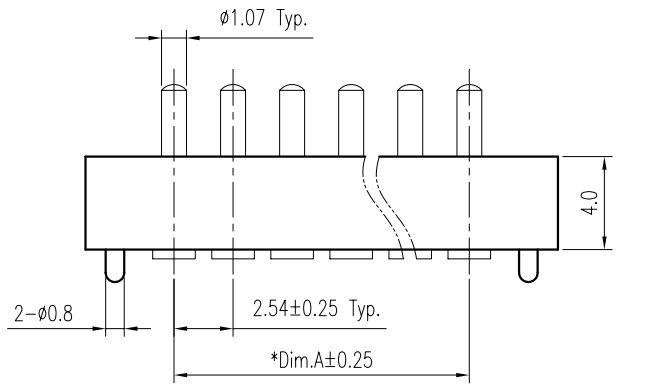


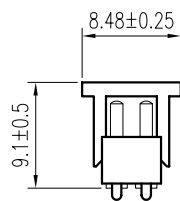
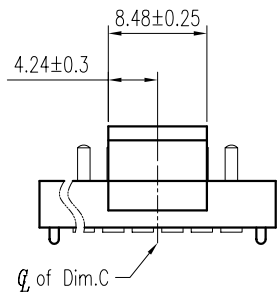
REV.	DESCRIPTION	ECN NO.	DATE	DRAWER
A	New Release		11/21/2005	Alan



Notes:

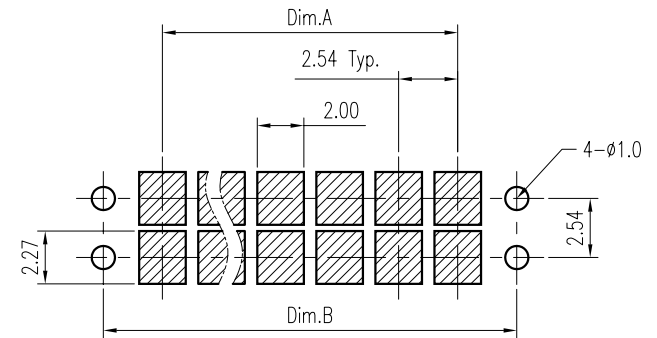
- Material :
Housing : Thermoplastic UL 94V-0
Terminal : Copper Alloy
Cap: Thermoplastic UL 94V-0
- Finish :
Terminal : 20u" Gold on Contact Area, 10u" Gold on Solder Tails, Both over 100u" Ni Under-plated Overall
- Stroke 1.4mm Max.
- Order Information :

T	PE1-012	X	9-0	X	X	1
T : RoHS						
						Packing
						T : Tube
						1 : Tube With Cap
						Color
						1 : White
						2 : Black



With Cap
Scale 1.5 :1

Dim.A	2.54 x (Amount of Pins/2 - 1)
Dim.B	2.54 x (Amount of Pins/2 + 1)
Dim.C	2.54 x (Amount of Pins/2 + 2)



Recommended P.C.B. Layout
Layout Tolerance = ± 0.05 mm

DIMENSION IN mm [inch]	
Tolerance unless otherwise specified	
X. ± 0.38	X.* ± 10'
X.X ± 0.25	X.X* ± 5'
X.XX ± 0.13	X.XX* ± 2'
X.XXX ±	X.XXX* ±

CEN 欣訊科技股份有限公司
CEN LINK CO., LTD.
CUSTOMER DRAWING

Title 2.54mm Pitch Pin Header (Spring Pin)
Dwg No. TPE1-012X9-OXX1
File No. P01008

Approver:

Checker:

Drawer: Alan

11/21/2005

Scale: 3 : 1
Size: A 4
Rev : A
Sheet: 1 / 1