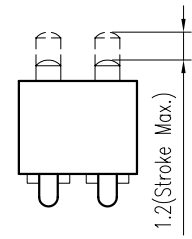
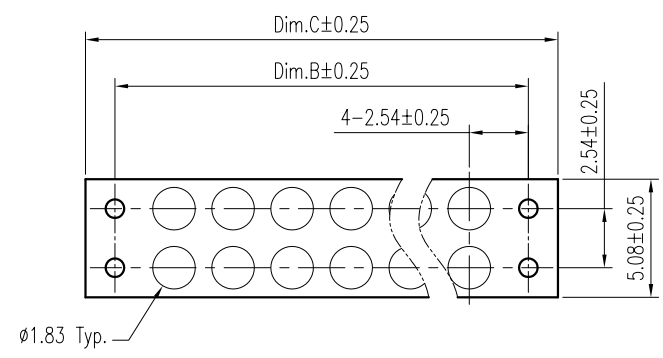
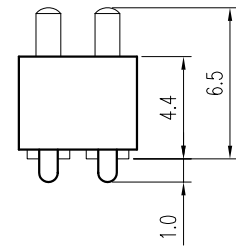
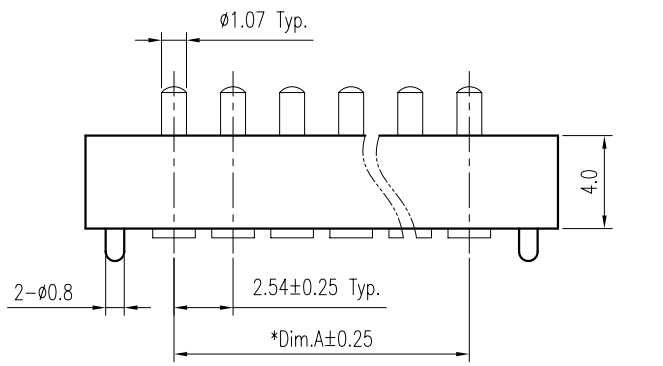


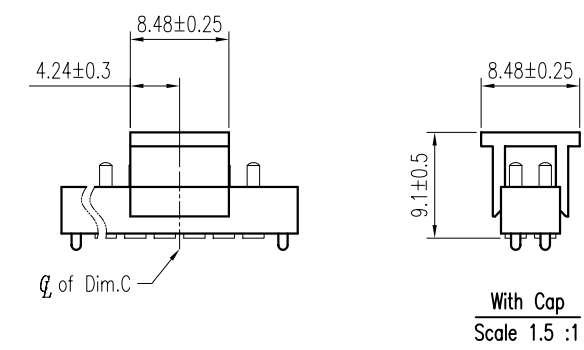
REV.	DESCRIPTION	ECN NO.	DATE	DRAWER
A	New Release		11/09/2005	Alan
B	Modified by Customer Design	EC0511033	11/21/2005	Alan



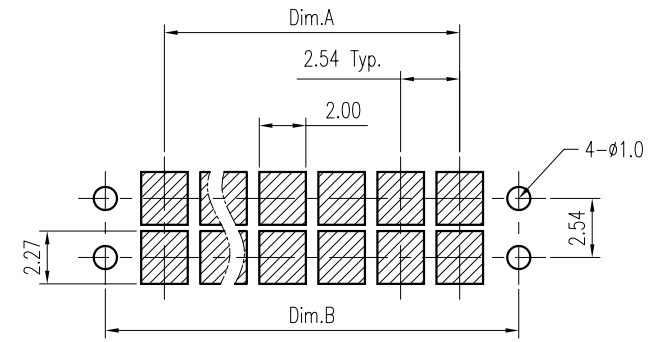
Notes:

- Material :
Housing : Thermoplastic UL 94V-0
Terminal : Copper Alloy
Cap : Thermoplastic UL 94V-0
- Finish :
Terminal : 20u" Gold on Contact Area, 10u" Gold on Solder Tails, Both over 100u" Ni Under-plated Overall
- Stroke 1.2mm Max.
- Order Information :

T	PE1-012	X	7-0	X	X	1
T :	RoHS					
						Packing
						T : Tube
						1 : Tube With Cap
						Color
						1 : White
						2 : Black
						Amount of Pins
						2 : 4 Pins
						?
						9 : 18 Pins
						A : 20 Pins
						?
						G : 32 Pins



Dim.A	2.54 x (Amount of Pins/2 - 1)
Dim.B	2.54 x (Amount of Pins/2 + 1)
Dim.C	2.54 x (Amount of Pins/2 + 2)



Recommended P.C.B. Layout
Layout Tolerance = ± 0.05 mm

DIMENSION IN mm [inch]		CEN 欣訊科技股份有限公司 CEN LINK CO., LTD.	Title 2.54mm Pitch Pin Header (Spring Pin)	
Tolerance unless otherwise specified				Dwg No. TPE1-012X7-OXX1
X. ± 0.38	X.* ± 10'	CUSTOMER DRAWING	File No. P01008	
X.X ± 0.25	X.X* ± 5'		Scale: 3 : 1	
X.XX ± 0.13	X.XX* ± 2'		Size: A 4	
X.XXX ±	X.XXX* ±		Rev : B	
Approver:		Checker:		Drawer: Alan
				11/21/2005
				Sheet: 1 / 1