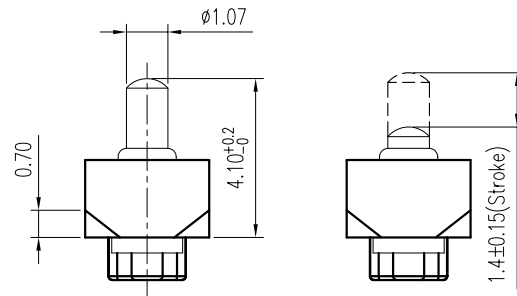
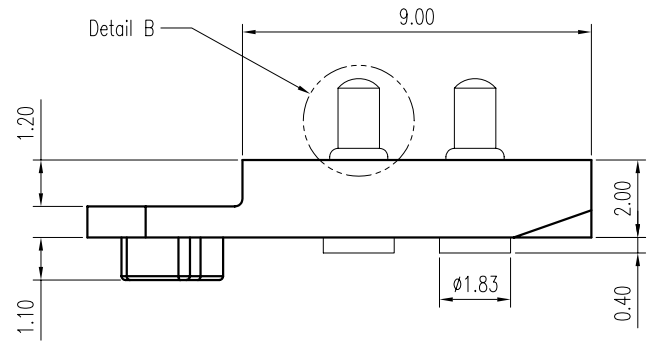
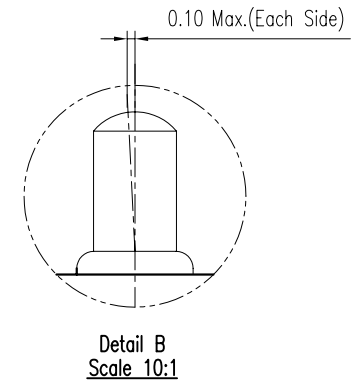
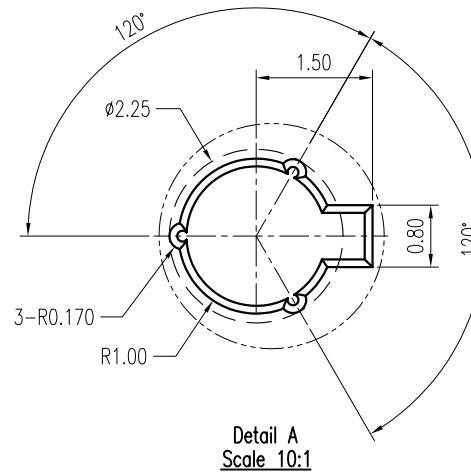
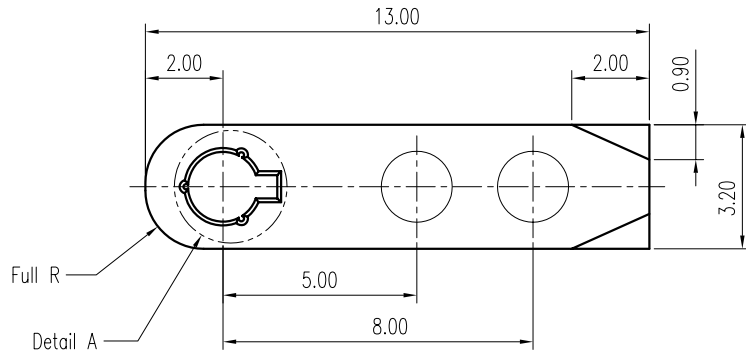


REV.	DESCRIPTION	ECN NO.	DATE	DRAWER
C	Modified Dimension		02/20/2002	Ben
D	Modified Post Dimension		03/07/2002	Ben
E	Modified by Customer Design	EC0606055	06/30/2006	Aaron



Notes:

- Material :
Housing : Thermoplastic UL 94V-0
Terminal : Copper Alloy
- Finish :
Terminal : 20u" Min. Gold on Contact Area, 10u" Min. Gold on Solder Tails, Both over 100u" Min. Ni Under-plated Overall
- Order Information :
PN1-01120-00T1
T : RoHS(for High Temperature)



DIMENSION IN mm [inch]			
Tolerance unless otherwise specified			
X.	±	--	X.* ± 10'
X.X	±	0.20	X.X* ± 5'
X.XX	±	0.15	X.XX* ± 2'
X.XXX	±	0.10	X.XXX* ±

CEN 欣訊科技股份有限公司
CEN LINK CO., LTD.
CUSTOMER DRAWING

Title: Pogo Pin Conn.
Dwg No. TPN1-01120-00T1
File No. N/A
Scale: 5 : 1
Size: A 4
Rev : E
Sheet: 1 / 1

Approver:

Checker:

Drawer: **Aaron**

06/30/2006