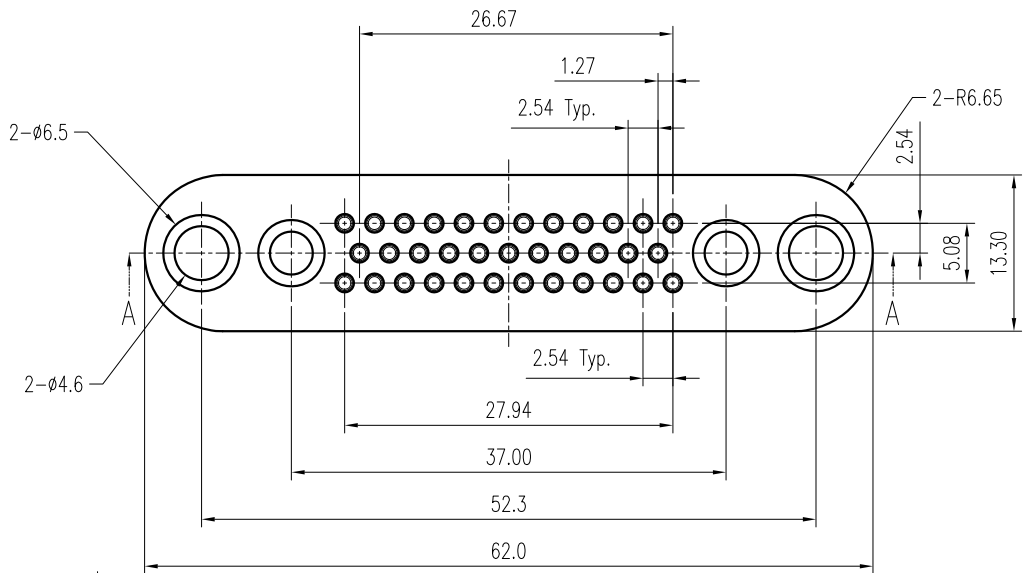
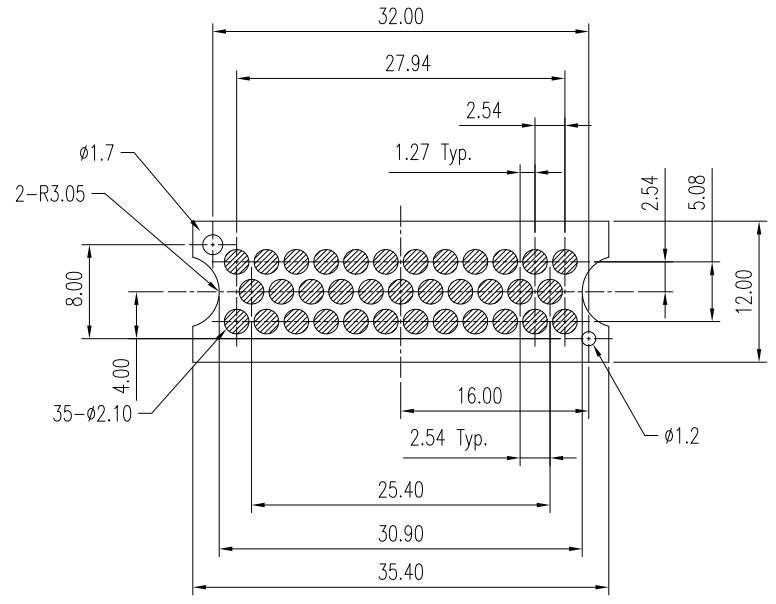
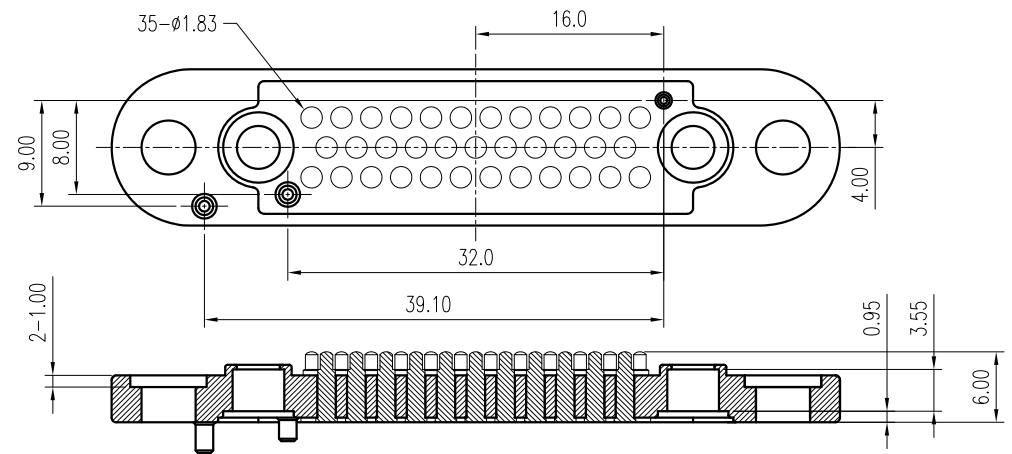
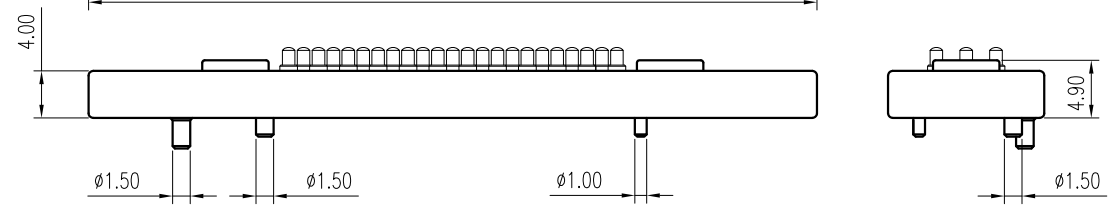


REV.	DESCRIPTION	ECN NO.	DATE	DRAWER
A	New Release		02/04/2008	Tom



- Notes:
- Material :  
Housing : Thermoplastic UL 94V-0, Black  
Terminal : Copper Alloy
  - Finish :  
Terminal : 20u" Gold on Contact Area, 10u" Gold on Solder Tails, Both over 80u" Min. Ni Under-plated Overall
  - Spring Pin Force : 0.85N ± 0.15N at Stroke 0.7mm
  - Full Stroke : 1.1mm Max.
  - Order Information : TPE1-02735-01T6



Recommended P.C.B. Layout  
Layout Tolerance = ± 0.05 mm

Section A-A

DIMENSION IN mm [inch]	
Tolerance unless otherwise specified	
X. ± 0.30	X.* ± 10'
X.X ± 0.25	X.X' ± 5'
X.XX ± 0.20	X.XX' ± 2'
X.XXX	X.XXX' ±

CEN 欣訊科技股份有限公司  
CEN LINK CO., LTD.

Title 35 Pin Pogo Pin Conn.  
Dwg No. TPE1-02735-01T6  
File No. PO7017

Scale: 1.5 : 1  
Size: A 4  
Rev : A  
Sheet: 1 / 1

Approver: \_\_\_\_\_ Checker: \_\_\_\_\_ Drawer: Tom  
02/04/2008