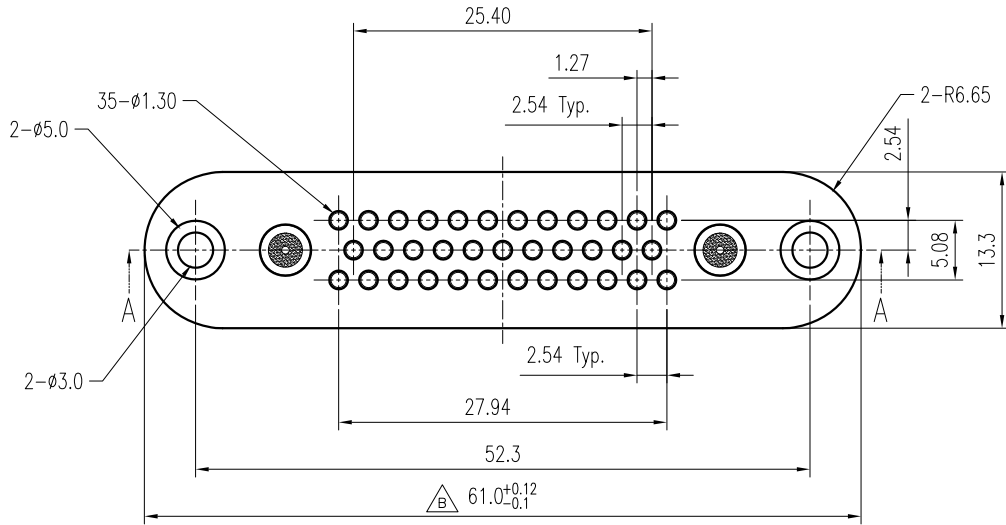
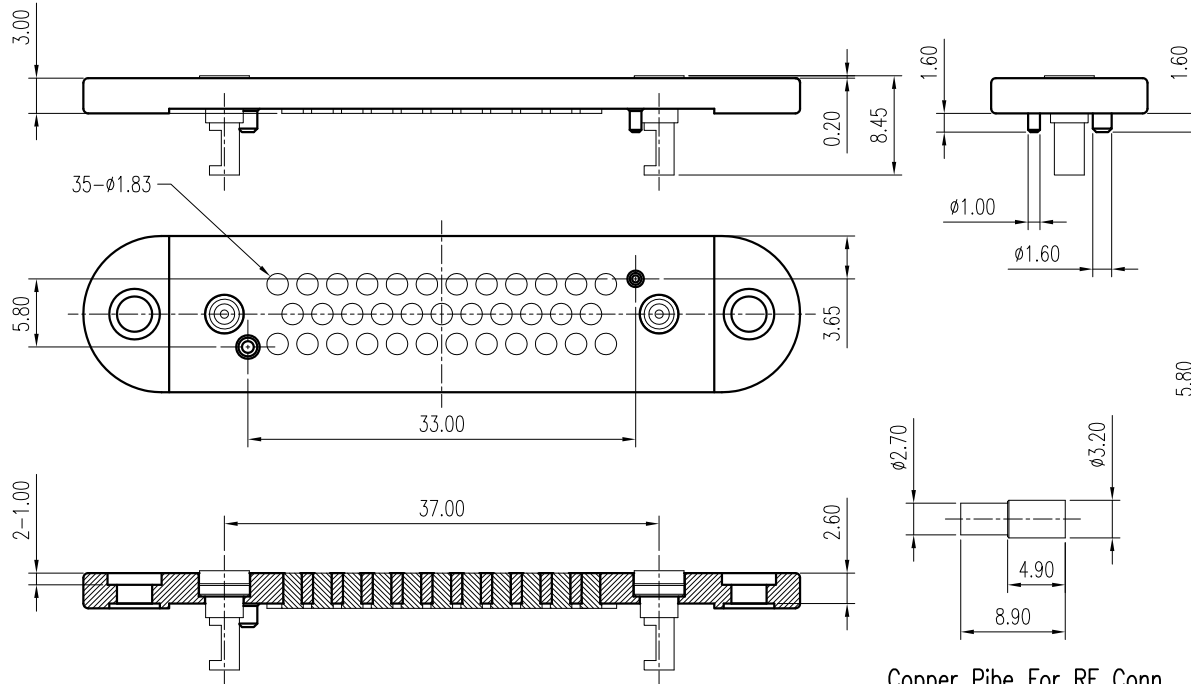


REV.	DESCRIPTION	ECN NO.	DATE	DRAWER
A	New Release		02/04/2008	Tom
B	Modified by Customer $\triangle_B$ x 3	EC0809001	09/01/2008	Tom



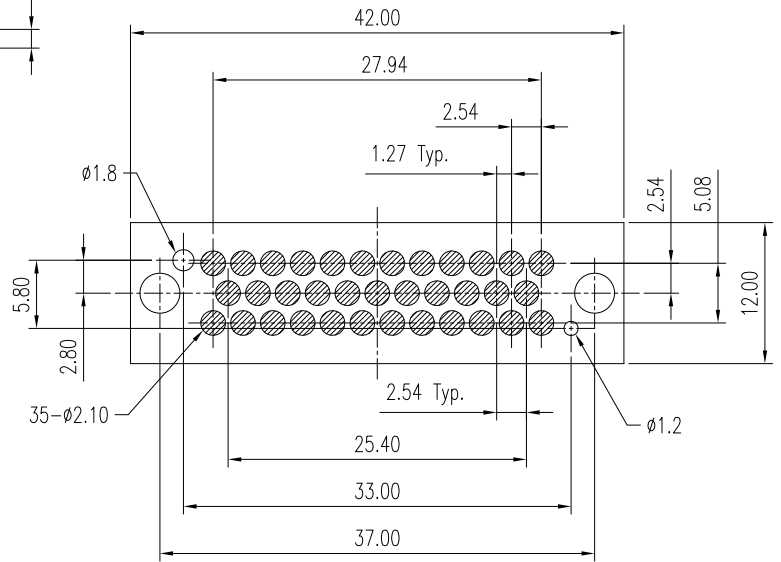
Notes:

- Material :  
Housing : Thermoplastic UL 94V-0, Black  
Terminal : Copper Alloy
- Finish :  
Terminal : 20u" Gold on Contact Area,  
50u" Min. Ni Under-plated Overall
- Order Information : TPE0-02735-02T6



Section A-A

Copper Pipe For RF Conn.



Recommended P.C.B. Layout  
Layout Tolerance =  $\pm 0.05$  mm

DIMENSION IN mm [inch]	
Tolerance unless otherwise specified	
X. $\pm 0.30$	X.* $\pm 10'$
X.X $\pm 0.25$	X.X' $\pm 5'$
X.XX $\pm 0.20$	X.XX' $\pm 2'$
X.XXX	X.XXX' $\pm$

**CEN** 欣訊科技股份有限公司  
CEN LINK CO., LTD.

CUSTOMER DRAWING

Approver:

Checker:

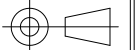
Drawer: **Tom**

09/01/2008

Title 35 Pin Machine Pin Conn.

Dwg No. TPE0-02735-02T6  $\triangle_B$

File No. PO7018



Scale: 1.5 : 1

Size: A 4

Rev : B

Sheet: 1 / 1