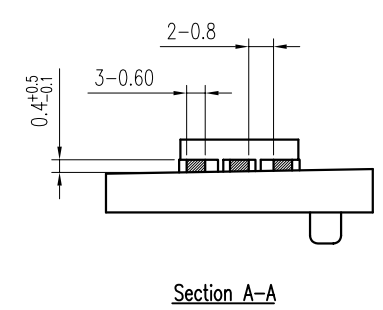
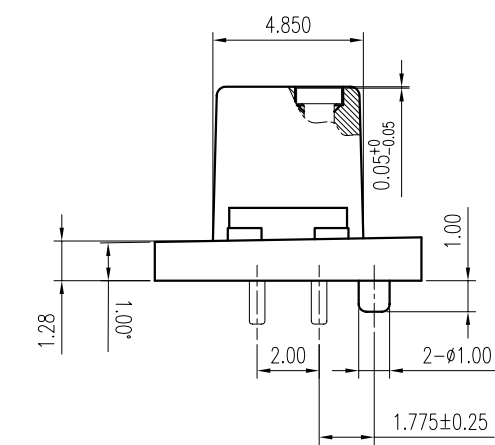
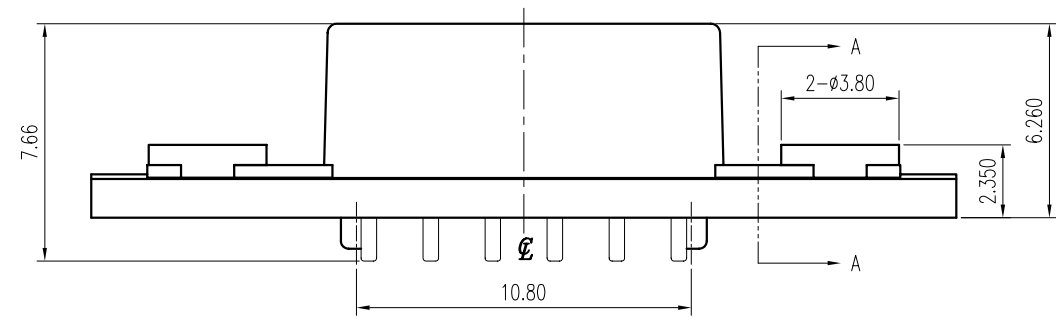
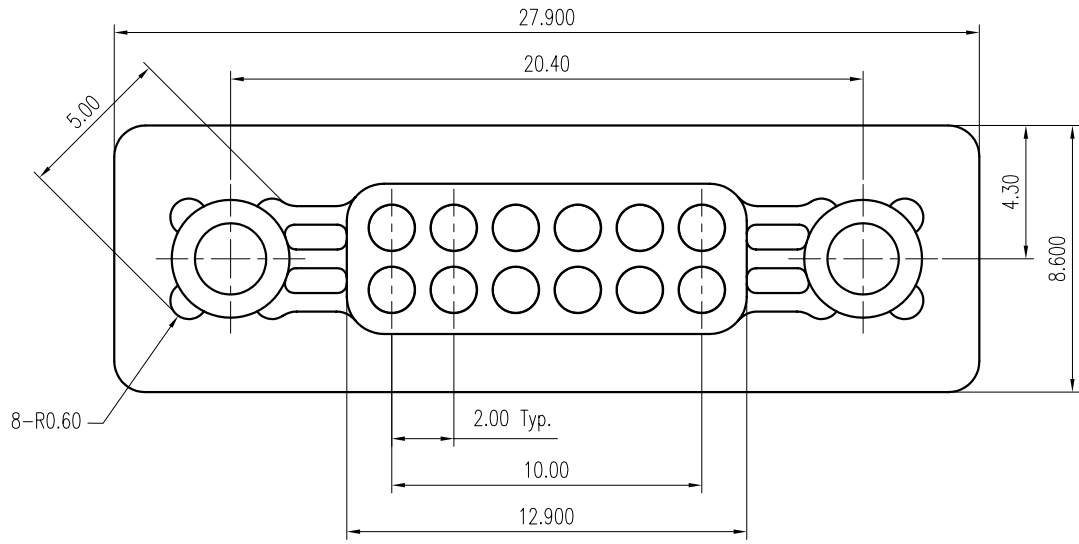


REV.	DESCRIPTION	ECN NO.	DATE	DRAWER
A	New Release		05/05/2006	Aaron



Notes:

- Material :
Housing : Thermoplastic UL 94V-0 , Black
Terminal : Copper Alloy
 - Finish :
Terminal : 30u" Min. Gold over 40u" Min. Ni Under-plated Overall
 - Order Information :
T PA0-01101-12T8
- T : RoHS(for High Temperature)

DIMENSION IN mm [inch]	
Tolerance unless otherwise specified	
X.	X.* ± 10'
X.X ± 0.38	X.X* ± 5'
X.XX ± 0.25	X.XX* ± 2'
X.XXX ± 0.10	X.XXX* ±

CEN 欣訊科技股份有限公司
CEN LINK CO., LTD.
CUSTOMER DRAWING

Title	2.0mm Pitch Plane Conn.
Dwg No.	TPA0-01101-12T8
File No.	PO6004
Approver:	Checker:
Drawer:	Aaron
Date:	05/05/2006

Scale:	4 : 1
Size:	A 4
Rev :	A
Sheet:	1 / 1